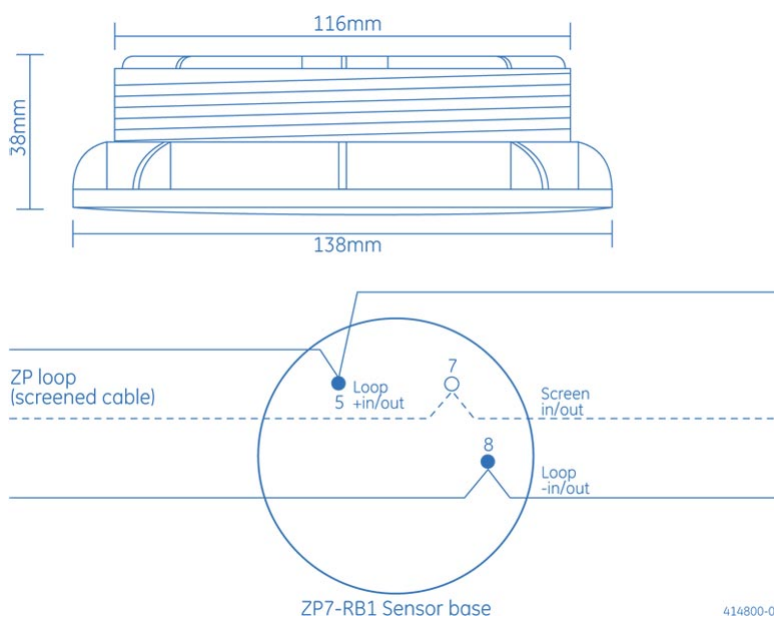


ZP7-RB1

Analogue sensor base - recessed

Specifications

Model No	ZP7-RB1
Specification	EN54 (with relevant sensor)
Description	Analogue sensor base - recessed
Compatibility	All ZP analogue systems
Mounting	Recessed
Wiring	2 core loop or spur
Monitoring	Open and short circuit fault sensor removal and device type
Terminals	Loop +ve in/out Loop -ve in/out Cable screen continuity REM LED +ve REM LED -ve
Operating voltage	16-22 volts DC
Application	Indoor installation
EN60529 rating	IP42
Temperature range	-10°C to +75°C
Humidity range	20% to 95% RH (non condensing)
EMC	CE marked (IEC89/336)
Material	Moulded ABS
Dimensions	138mm (Dia) x 38mm (H)
Colour	White
Weight	110g
Publication No	PS1240



Ordering Information

Part No.	Description
ZP7-RB1	Analogue sensor base - recessed