

Part Numbers

VTB-32E

Description

24 Volt 32 Tone Sounder Beacon - EN 54 Approved

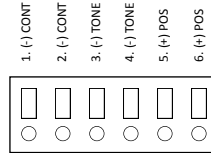
Units are available with a Deep or Shallow base. Lens colour options available are red or amber.

Voltage Range

21 - 28Vdc

For any technical queries please contact:

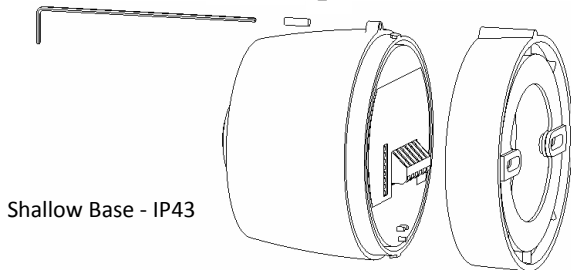
| | | | |
|---|---|---|----------------------------|
| 1 | | | FLASH ONLY ON / OFF |
| 2 | o | — | TONE SELECTION (SEE TABLE) |
| 3 | o | — | |
| 4 | o | — | |
| 5 | o | — | |
| 6 | o | — | |
| 7 | A | C | |
| 8 | B | D | D + A MEDIUM |
| | | | A + B LOW |



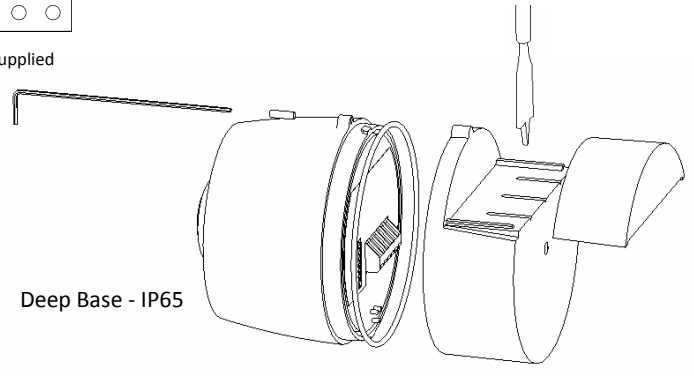
Allen key not supplied

For tone wire neg to term 3 and/or 4
For 2nd tone wire neg to 1 and/or 2
Note that the 2nd tone will over-ride tone

All VTB sounder/beacons are delivered with the volume set to high and tone set to 11111 (Cranford sweep)



Shallow Base - IP43



Deep Base - IP65

A suitable gland for the cable entry and a sealant for the screw mounting holes should be used to maintain the IP integrity of the product.

Full datasheet available - DS109F

RoHS ✓



MADE IN UK

0359-CPD-0060

Doc No: 125-070

Issue No: 001

Part Numbers

VTB-32E

Description

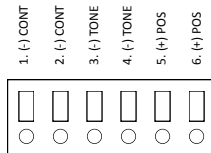
24 Volt 32 Tone Sounder Beacon - EN 54 Approved

Units are available with a Deep or Shallow base. Lens colour options available are red or amber.

Voltage Range

21 - 28Vdc

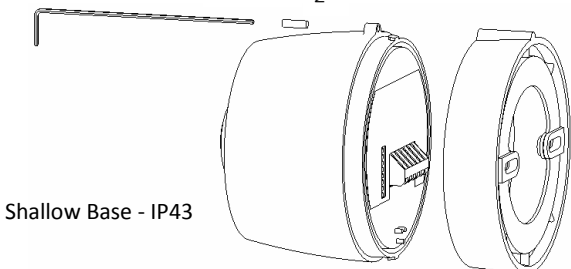
| | | | |
|---|---|---|----------------------------|
| 1 | | | FLASH ONLY ON / OFF |
| 2 | o | — | TONE SELECTION (SEE TABLE) |
| 3 | o | — | |
| 4 | o | — | |
| 5 | o | — | |
| 6 | o | — | |
| 7 | A | C | |
| 8 | B | D | D + A MEDIUM |
| | | | A + B LOW |



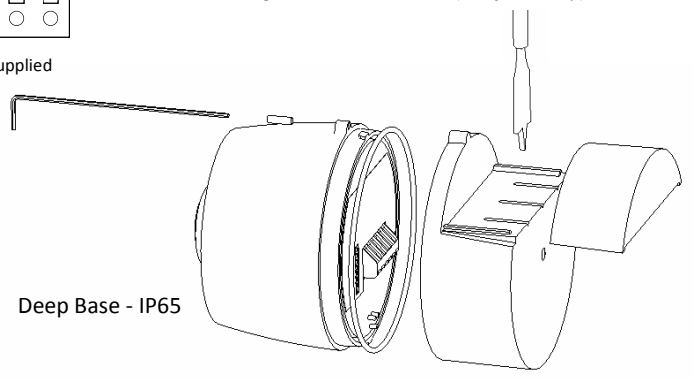
Allen key not supplied

For tone wire neg to term 3 and/or 4
For 2nd tone wire neg to 1 and/or 2
Note that the 2nd tone will over-ride tone

All VTB sounder/beacons are delivered with the volume set to high and tone set to 11111 (Cranford sweep)



Shallow Base - IP43



Deep Base - IP65

A suitable gland for the cable entry and a sealant for the screw mounting holes should be used to maintain the IP integrity of the product.

RoHS ✓



MADE IN UK

0359-CPD-0060

Doc No: 125-070

Issue No: 001

| No. | Tone | Description | Switch 23456 | Second Stage Alarm | Typical Current (mA) Tone | | | Typical Sound Output (dBa) Tone | | |
|-----|---------------------------------------|---|--------------|---|---------------------------|-----------|-----------|---------------------------------|-----------|-----------|
| | | | | | L | M | H | L | M | H |
| 1 | LF Sweep (Cranford sweep) | 800-1000 Hz | 11111 | 800 Hz cont | 9 | 14 | 19 | 78 | 93 | 97 |
| 2 | Alternative warble BS standard | 800/960 Hz at 2 Hz | 11110 | 800 Hz cont | 10 | 16 | 32 | 89 | 105 | 109 |
| 3 | Warble Tone BS standard | 800/1000 Hz @ 0.5 sec | 11101 | 800 Hz cont | 10 | 17 | 34 | 89 | 105 | 109 |
| 4 | Alternative warble BS standard | 500/600 Hz @ 2 Hz | 11100 | 500 Hz cont | 9 | 15 | 28 | 88 | 103 | 106 |
| 5 | HF Back up Interrupted tone | 2800 Hz @ 1.0 sec on/off | 11011 | 2800 Hz cont | 11 | 18 | 34 | 96 | 110 | 117 |
| 6 | LF Back up Alarm | 800 Hz @ 150 msec on/off | 11010 | 800 Hz cont | 9 | 17 | 30 | 86 | 101 | 104 |
| 7 | HF Back up Interrupted tone - fast | 2800 Hz @ 150 msec on/off | 11001 | 800 Hz cont | 11 | 18 | 34 | 95 | 109 | 115 |
| 8 | LF Continuous tone BS5839 | 800 Hz cont | 11000 | Same tone | 9 | 13 | 17 | 79 | 93 | 96 |
| 9 | Sweep tone (1 Hz) | 800/900 Hz @ 1Hz | 10111 | 800 Hz cont | 10 | 16 | 31 | 91 | 106 | 110 |
| 10 | Australian slow whoop | Intermittent 970 Hz 0.625 ms on/0.625 ms off | 10110 | 500-1200 Hz 3.75 sec on 0.25 sec off | 10 | 16 | 32 | 91 | 106 | 110 |
| 11 | Dutch sweep tone | 970 Hz cont | 10101 | 500-1200 Hz 3.5 sec on 0.5 sec off | 9 | 13 | 18 | 79 | 94 | 97 |
| 12 | Analogue sweep tone | 500/600 Hz @ 2 Hz | 10100 | 500 Hz cont | 9 | 15 | 27 | 87 | 103 | 107 |
| 13 | Sweep tone (3 Hz) | 800/970 Hz @ 3 Hz | 10011 | 800 Hz cont | 9 | 17 | 32 | 91 | 106 | 110 |
| 14 | Alternate HF slow sweep | 2350/2900 Hz @ 3 Hz | 10010 | 2400 Hz cont | 10 | 19 | 36 | 96 | 109 | 115 |
| 15 | Fast HF sweep | 2400-2800 Hz @ 7 Hz | 10001 | 2400 Hz cont | 10 | 18 | 36 | 96 | 109 | 115 |
| 16 | US Temporal Pattern LF | 950 Hz for 0.5 sec on 0.5 sec off x 3 then 1.5 sec then repeat | 10000 | 800 Hz cont | 9 | 16 | 32 | 89 | 105 | 109 |
| 17 | Interrupted tone BS standard | Interrupted tone 800 Hz @ 0.5 sec on/off | 01111 | 800 Hz cont | 9 | 16 | 32 | 87 | 102 | 105 |
| 18 | ISO 8201 LF BS5839 Pt 1 1988 | Intermittent 970 Hz 500 ms on / 500 ms off | 01110 | Same tone | 9 | 17 | 32 | 88 | 104 | 109 |
| 19 | Interrupted tone medium | 1000 Hz @ 0.25 sec on / off | 01101 | 800 Hz cont | 10 | 17 | 34 | 89 | 104 | 108 |
| 20 | ISO8201 HF | Intermittent 2850 Hz 500 ms on / 500 ms off | 01100 | Same tone | 10 | 18 | 34 | 95 | 109 | 115 |
| 21 | Continuous tone | 1000 Hz continuous | 01011 | Same tone | 10 | 18 | 34 | 89 | 104 | 108 |
| 22 | LF Buzz | 800-950 Hz swept at 110 Hz | 01010 | 800 Hz cont | 10 | 16 | 32 | 90 | 105 | 109 |
| 23 | HF Continuous | 2800 Hz | 01001 | 2800 Hz cont | 11 | 18 | 34 | 95 | 110 | 116 |
| 24 | Sweep tone (9 Hz) | 800-970 Hz @ 9 Hz | 01000 | 800 Hz cont | 9 | 16 | 32 | 90 | 105 | 109 |
| 25 | German DIN tone | Sweep 1200-500 Hz @ 1 Hz | 00111 | 800 Hz cont | 8 | 12 | 15 | 78 | 93 | 96 |
| 26 | Swedish Fire signal | Intermittent 660 Hz 150 ms on / 150 ms off | 00110 | Same tone | 9 | 15 | 29 | 87 | 103 | 107 |
| 27 | French tone AFNOR | 554 Hz for 100 ms and 440 Hz for 400 ms | 00101 | 800 Hz cont | 8 | 10 | 13 | 76 | 91 | 94 |
| 28 | Swedish all clear signal | Continuous 660 Hz | 00100 | Same tone | 8 | 15 | 28 | 88 | 105 | 108 |
| 29 | US Temporal Pattern HF | 2900 Hz for 0.5 sec on 0.5 off x 3 then off for 1.5 sec then repeat | 00011 | 2900 Hz cont | 9 | 16 | 32 | 93 | 107 | 115 |
| 30 | Siren 2 way ramp (short) | 500/1200 Hz rising then falling 0.25 sec | 00010 | 800 Hz cont | 9 | 17 | 34 | 88 | 104 | 108 |
| 31 | FP1063.1-Telecom | Alternating tone 800/970 Hz @ 2 Hz | 00001 | 800 Hz cont | 9 | 17 | 32 | 89 | 105 | 108 |
| 32 | Siren 2 way ramp (long) | 500/1200 Hz 3 sec rising / 3 sec falling | 00000 | 800 Hz cont | 10 | 17 | 34 | 90 | 106 | 110 |
| | Continuous tone | 500 Hz Continuous | - | - | 9 | 14 | 27 | 88 | 104 | 106 |
| | Dutch Tone (Override tone) | 500-1200 Hz 3.5 sec on and 0.5 sec off | - | - | 10 | 18 | 35 | 90 | 106 | 110 |
| | Australian Slow Whoop (Override Tone) | Sweep 500-1200 Hz 3.75 sec on | - | - | 10 | 18 | 35 | 91 | 106 | 110 |
| | Continuous Tone | 2400 Hz Continuous | - | - | 10 | 19 | 35 | 91 | 107 | 110 |
| | Continuous Tone | 2900 Hz Continuous | - | - | 10 | 19 | 37 | 96 | 110 | 116 |

| No. | Tone | Description | Switch 23456 | Second Stage Alarm | Typical Current (mA) Tone | | | Typical Sound Output (dBa) Tone | | |
|-----|---------------------------------------|---|--------------|---|---------------------------|-----------|-----------|---------------------------------|-----------|-----------|
| | | | | | L | M | H | L | M | H |
| 1 | LF Sweep (Cranford sweep) | 800-1000 Hz | 11111 | 800 Hz cont | 9 | 14 | 19 | 78 | 93 | 97 |
| 2 | Alternative warble BS standard | 800/960 Hz at 2 Hz | 11110 | 800 Hz cont | 10 | 16 | 32 | 89 | 105 | 109 |
| 3 | Warble Tone BS standard | 800/1000 Hz @ 0.5 sec | 11101 | 800 Hz cont | 10 | 17 | 34 | 89 | 105 | 109 |
| 4 | Alternative warble BS standard | 500/600 Hz @ 2 Hz | 11100 | 500 Hz cont | 9 | 15 | 28 | 88 | 103 | 106 |
| 5 | HF Back up Interrupted tone | 2800 Hz @ 1.0 sec on/off | 11011 | 2800 Hz cont | 11 | 18 | 34 | 96 | 110 | 117 |
| 6 | LF Back up Alarm | 800 Hz @ 150 msec on/off | 11010 | 800 Hz cont | 9 | 17 | 30 | 86 | 101 | 104 |
| 7 | HF Back up Interrupted tone - fast | 2800 Hz @ 150 msec on/off | 11001 | 800 Hz cont | 11 | 18 | 34 | 95 | 109 | 115 |
| 8 | LF Continuous tone BS5839 | 800 Hz cont | 11000 | Same tone | 9 | 13 | 17 | 79 | 93 | 96 |
| 9 | Sweep tone (1 Hz) | 800/900 Hz @ 1Hz | 10111 | 800 Hz cont | 10 | 16 | 31 | 91 | 106 | 110 |
| 10 | Australian slow whoop | Intermittent 970 Hz 0.625 ms on/0.625 ms off | 10110 | 500-1200 Hz 3.75 sec on 0.25 sec off | 10 | 16 | 32 | 91 | 106 | 110 |
| 11 | Dutch sweep tone | 970 Hz cont | 10101 | 500-1200 Hz 3.5 sec on 0.5 sec off | 9 | 13 | 18 | 79 | 94 | 97 |
| 12 | Analogue sweep tone | 500/600 Hz @ 2 Hz | 10100 | 500 Hz cont | 9 | 15 | 27 | 87 | 103 | 107 |
| 13 | Sweep tone (3 Hz) | 800/970 Hz @ 3 Hz | 10011 | 800 Hz cont | 9 | 17 | 32 | 91 | 106 | 110 |
| 14 | Alternate HF slow sweep | 2350/2900 Hz @ 3 Hz | 10010 | 2400 Hz cont | 10 | 19 | 36 | 96 | 109 | 115 |
| 15 | Fast HF sweep | 2400-2800 Hz @ 7 Hz | 10001 | 2400 Hz cont | 10 | 18 | 36 | 96 | 109 | 115 |
| 16 | US Temporal Pattern LF | 950 Hz for 0.5 sec on 0.5 sec off x 3 then 1.5 sec then repeat | 10000 | 800 Hz cont | 9 | 16 | 32 | 89 | 105 | 109 |
| 17 | Interrupted tone BS standard | Interrupted tone 800 Hz @ 0.5 sec on/off | 01111 | 800 Hz cont | 9 | 16 | 32 | 87 | 102 | 105 |
| 18 | ISO 8201 LF BS5839 Pt 1 1988 | Intermittent 970 Hz 500 ms on / 500 ms off | 01110 | Same tone | 9 | 17 | 32 | 88 | 104 | 109 |
| 19 | Interrupted tone medium | 1000 Hz @ 0.25 sec on / off | 01101 | 800 Hz cont | 10 | 17 | 34 | 89 | 104 | 108 |
| 20 | ISO8201 HF | Intermittent 2850 Hz 500 ms on / 500 ms off | 01100 | Same tone | 10 | 18 | 34 | 95 | 109 | 115 |
| 21 | Continuous tone | 1000 Hz continuous | 01011 | Same tone | 10 | 18 | 34 | 89 | 104 | 108 |
| 22 | LF Buzz | 800-950 Hz swept at 110 Hz | 01010 | 800 Hz cont | 10 | 16 | 32 | 90 | 105 | 109 |
| 23 | HF Continuous | 2800 Hz | 01001 | 2800 Hz cont | 11 | 18 | 34 | 95 | 110 | 116 |
| 24 | Sweep tone (9 Hz) | 800-970 Hz @ 9 Hz | 01000 | 800 Hz cont | 9 | 16 | 32 | 90 | 105 | 109 |
| 25 | German DIN tone | Sweep 1200-500 Hz @ 1 Hz | 00111 | 800 Hz cont | 8 | 12 | 15 | 78 | 93 | 96 |
| 26 | Swedish Fire signal | Intermittent 660 Hz 150 ms on / 150 ms off | 00110 | Same tone | 9 | 15 | 29 | 87 | 103 | 107 |
| 27 | French tone AFNOR | 554 Hz for 100 ms and 440 Hz for 400 ms | 00101 | 800 Hz cont | 8 | 10 | 13 | 76 | 91 | 94 |
| 28 | Swedish all clear signal | Continuous 660 Hz | 00100 | Same tone | 8 | 15 | 28 | 88 | 105 | 108 |
| 29 | US Temporal Pattern HF | 2900 Hz for 0.5 sec on 0.5 off x 3 then off for 1.5 sec then repeat | 00011 | 2900 Hz cont | 9 | 16 | 32 | 93 | 107 | 115 |
| 30 | Siren 2 way ramp (short) | 500/1200 Hz rising then falling 0.25 sec | 00010 | 800 Hz cont | 9 | 17 | 34 | 88 | 104 | 108 |
| 31 | FP1063.1-Telecom | Alternating tone 800/970 Hz @ 2 Hz | 00001 | 800 Hz cont | 9 | 17 | 32 | 89 | 105 | 108 |
| 32 | Siren 2 way ramp (long) | 500/1200 Hz 3 sec rising / 3 sec falling | 00000 | 800 Hz cont | 10 | 17 | 34 | 90 | 106 | 110 |
| | Continuous tone | 500 Hz Continuous | - | - | 9 | 14 | 27 | 88 | 104 | 106 |
| | Dutch Tone (Override tone) | 500-1200 Hz 3.5 sec on and 0.5 sec off | - | - | 10 | 18 | 35 | 90 | 106 | 110 |
| | Australian Slow Whoop (Override Tone) | Sweep 500-1200 Hz 3.75 sec on | - | - | 10 | 18 | 35 | 91 | 106 | 110 |
| | Continuous Tone | 2400 Hz Continuous | - | - | 10 | 19 | 35 | 91 | 107 | 110 |
| | Continuous Tone | 2900 Hz Continuous | - | - | 10 | 19 | 37 | 96 | 110 | 116 |