

MX TECHNOLOGY®

Tyco VIO800

Analogue Addressable VESDA® Interface Kit

INFORMATION SHEET

DESCRIPTION

The VIO800 is an arrangement of the MIO800 Addressable Multi-I/O Module supplied fitted on to a mounting bracket suitable for internal installation within a VESDA® LaserPLUS™ or LaserSCANNER™. The MIO800's inputs and outputs are wired to the relay outputs and control inputs of the LaserPLUS™ or LaserSCANNER™ to allow compatible MX Control and Indication Equipment (c.i.e.) to monitor and control the VESDA® units.

OPERATION

The MIO800 can communicate the following signals from / to the VESDA® units:

- Input 1 – Fire 1 and Urgent Fault
- Input 2 – Action and Minor Fault
- Input 3 – Alert and PSU Fault
- Output 1 – Reset (optional)

The Reset signal allows alarms and faults latched on the VESDA® unit to be reset from the c.i.e. should this be required. Interrupt operation can be enabled on Inputs 1 and 2 for faster signalling of alarms to the c.i.e.

MOUNTING

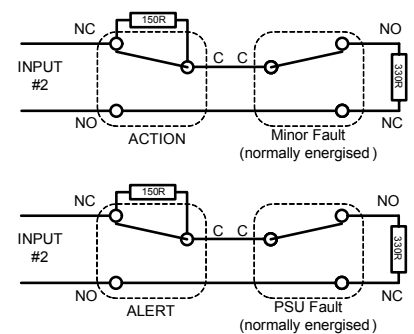
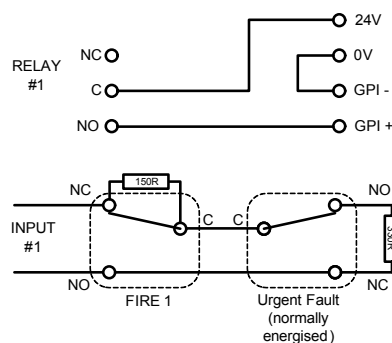
The MIO800 is supplied on a metal bracket suitable for mounting behind the left hand cover of all models of the LaserPLUS and those models of LaserSCANNER™ that have seven relays. If the VESDA® unit has Fire OK LEDs on the left hand cover, this panel will need to be moved to the middle or right hand position. Wiring will need to be supplied and terminated on the appropriate screw terminals in the VESDA® unit.

ADDRESS SETTING

The MIO800 is shipped with a default (invalid) address of 255 and must be set to the correct loop address using the 801AP MX Service Tool.

WIRING

VIO800 Wiring Diagrams



SPECIFICATIONS (excludes VESDA® unit)

| | |
|-----------------------------------|------------------------|
| Loop Voltage ¹ | 20V to 40Vdc |
| Quiescent Current | 480µA |
| Operated Current (LED on) | 3mA |
| Max. VIO800 per Loop ² | 250 |
| Ambient Temperature | -25°C to +70°C |
| Storage Temperature | -40°C to +80°C |
| Relative Humidity | 10% to 95% (non cond.) |
| <i>Indoor Applications Only</i> | |
| Dimensions (HWD) | 72 x 110 x 18 mm |
| Wire Size (maximum) | 2.5sq. mm |
| Part Number | 516.018.014 |

1. Addressable loop voltage provided by MX c.i.e.
2. For use with MX1. Refer to appropriate manual LT0360 (MX1-NZ), LT0441 (MX1-Au) for design specifications.