

Instruction Manual

Sonos Pulse Beacon - Wall
Sonos Pulse Beacon - Ceiling



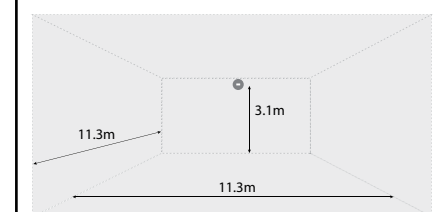
Pulse Alert TECHNOLOGY

klaxon

Signalling Solutions

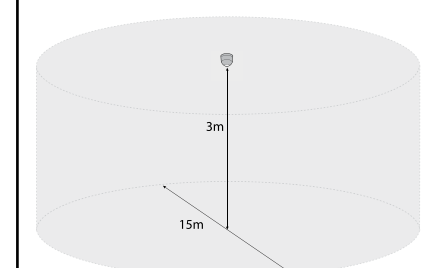
MADE IN ENGLAND INS560

Sonos Pulse Beacon - Wall



EN54-23 Coverage: W-3.1-11.3

Sonos Pulse Beacon - Ceiling



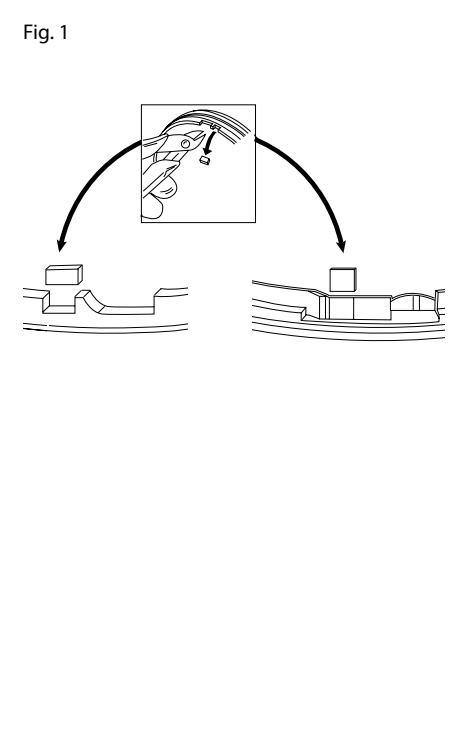
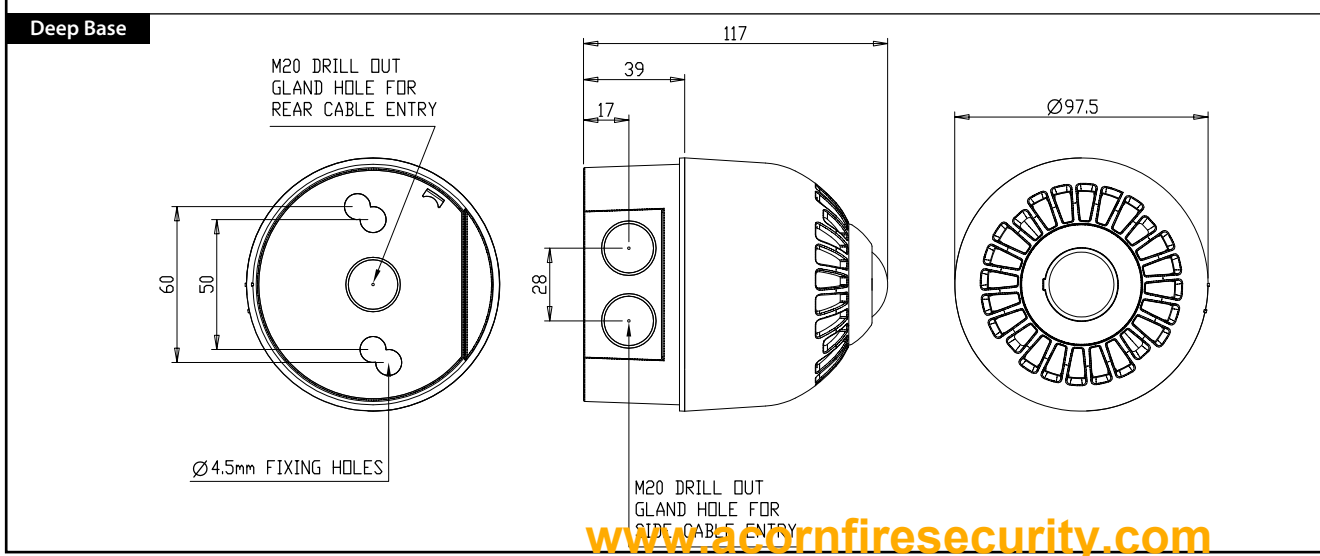
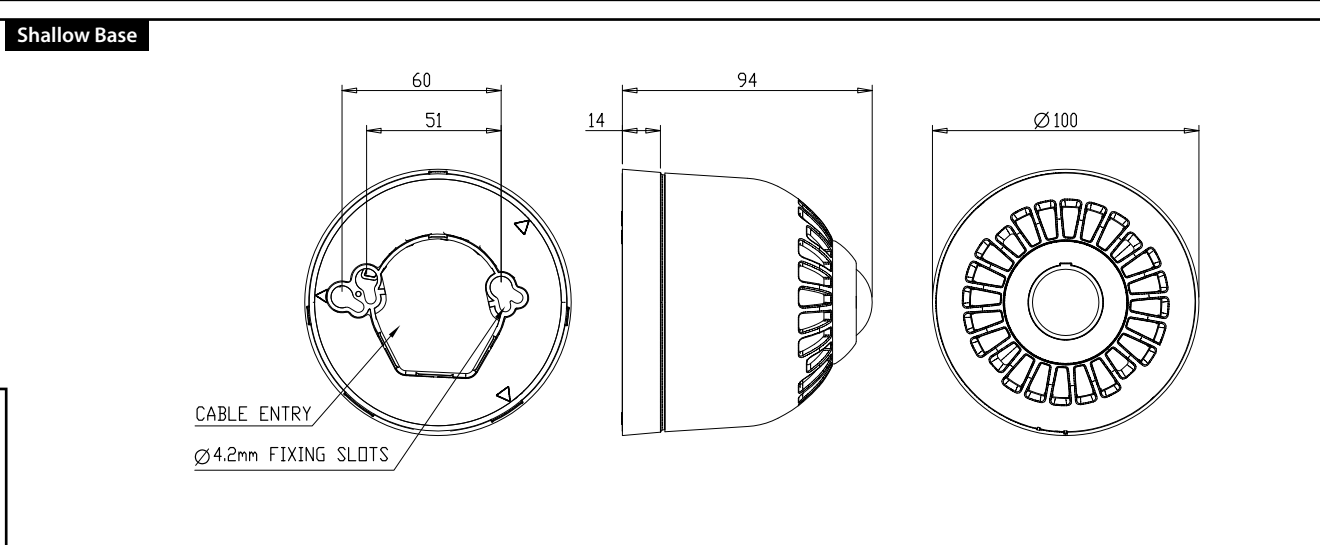
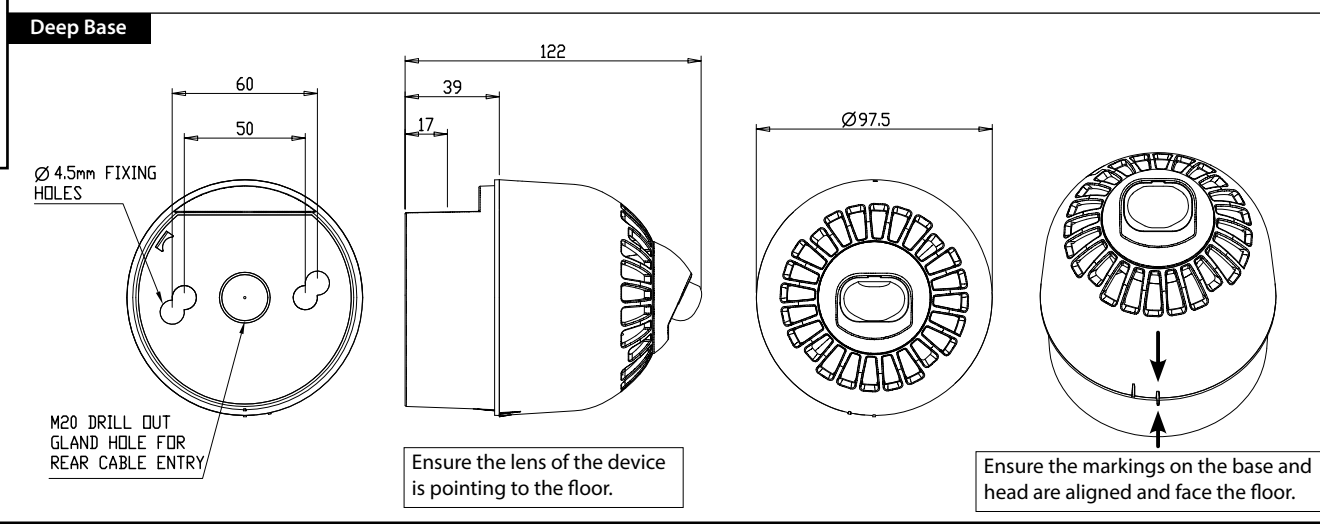
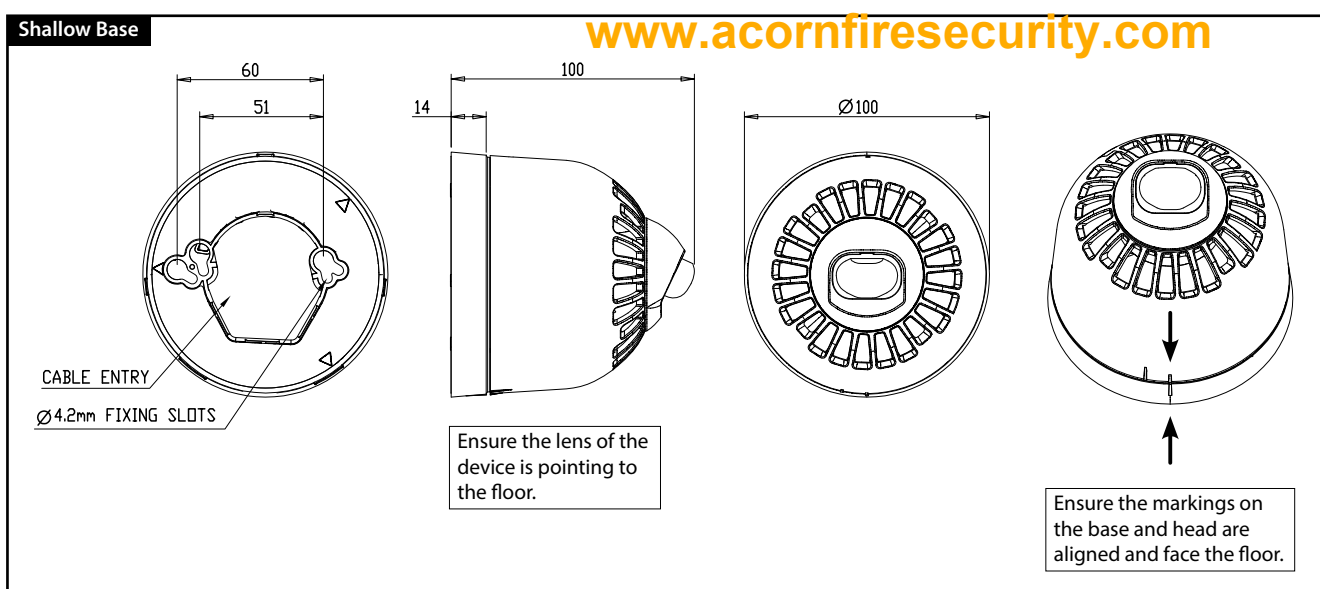
EN54-23 Coverage: C-3-15

Fire Alarm Device: Beacon.
Type A: For indoor use (Shallow Base)
Type B: For outdoor use (Deep Base)
Technical Datasheet AT500001



Head Type	Coverage Volume	CPR Number	LPCB Number
ESBA3000R	C-3-15	0832-CPR-F0007	717e/01
ESBA3000W	C-3-15	0832-CPR-F0007	717e/02
ESBA4000R	W-3.1-11.3	0832-CPR-F0009	717e/03
ESBA4000W	W-3.1-11.3	0832-CPR-F0009	717e/04

Essential Characteristics	EN54-23:2010 Subclause
Duration of operation	Pass
Provision for external conductors	Pass
Flammability of materials	Pass
Enclosure protection	Pass
Access	Pass
Manufacturers adjustments	Pass
On-site adjustment behaviour	Pass
Requirements for software controlled devices	Pass
Coverage volume	Pass
Variation of light output	Pass
Minimum and maximum light intensity	Pass
Light Colour	White
Light temporal pattern and frequency of flashing	Pass 0.5Hz/1Hz
Marking and data	Pass
Synchronisation (Option with requirements)	Pass
Durability	Pass
Temperature Resistance	Pass
Humidity resistance	Pass
Shock and vibration resistance	Pass
Corrosion resistance	Pass
Electrical stability	Pass



EN: Installation Manual

If required, the mechanism for locking the sounder to the base can be activated by removing the thin section of plastic shown in Fig. 1 with side cutters or a similar tool. To open a locked head, remove the small rubber bung from the hole on the side of the sounder, insert a tool into the hole and depress the clip whilst twisting the head. The O-ring and bung must be re-fitted to maintain the weatherproofing.

Wiring

Line	Terminal Marking
Common Positive Supply IN	(3) IN+
Beacon Negative Supply	(1)

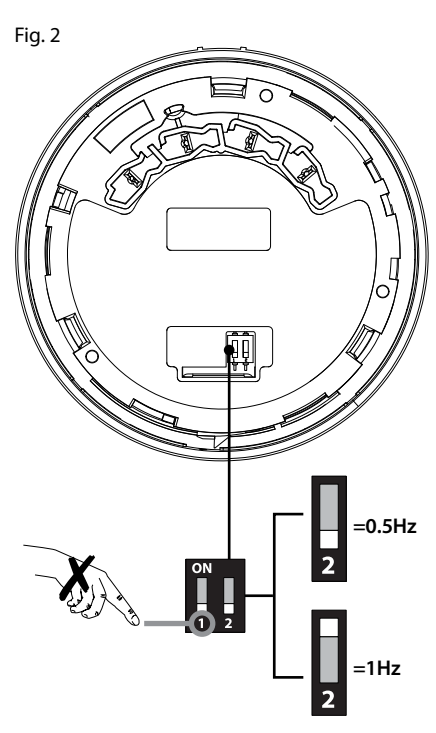
A separate earth terminal is provided on the deep base for connecting the screen or functional earth. On the shallow base, terminal 5 can be used for this purpose.

Flash rate

Switch 2 Flash rate: 0.5Hz=OFF/1Hz=ON (See Figure 2).

Technical Specification

Supply Voltage Range	17- 60Vdc
Switch on Surge @ 24Vdc	<1.2mA
Current:	
Alarm (Beacon) @ 24Vdc 0.5Hz	20mA
Alarm (Beacon) @ 24Vdc 1Hz	40mA
Beacon:	
Flash Rate	0.5Hz/1Hz
Flash Colour	White
Coverage (ceiling)	C-3-15 (530m³)
Coverage (wall)	W-3.1-11.3 (395.84m³)
Environmental:	
Humidity	5% to 95%
Temperature	-25°C to +70°C
Casing	High Impact Polycarbonate
IP Rating	IP21 (shallow base) IP65 (deep base)
Synchronisation	Automatic



FR: Notice d'instructions

Pour activer le verrouillage de la sirène à sa base, il faut enlever la fine plaque de plastique comme indiqué sur le dessin 1 avec un cutter. Pour déverrouiller la base, enlever l'insert blanc situé sur le côté, insérer un outil dans le trou pour appuyer sur le verrou tout en faisant pivoter la sirène. Le joint torique et l'insert doivent être remplacés pour maintenir l'étanchéité.

Câblage

Alimentation	Bornier
+ Alimentation	(3) IN+
Feu à éclats- Alimentation	(1)

Un terminal terre séparé est fourni sur la base profonde pour connecter le câble ou terre fonctionnelle. Sur la base étroite, le terminal 5 peut être utilisé à cet effet.

Fréquence de clignotement

L'interrupteur 2 Fréquence de clignotement: 0.5Hz =OFF/ 1Hz=ON (voir figure 2).

Spécification technique

Tension admissible	17- 60Vdc
Switch on Surge @ 24Vdc	<1.2mA
Courant:	
Alarme (Feu à éclats) @ 24Vdc 0.5Hz	20mA
Alarme (Feu à éclats) @ 24Vdc 1Hz	40mA
Feu à éclats:	
Fréquence de clignotement	0.5Hz/1Hz
Couleur du flash	Blanc
Couverture (plafond)	C-3-15 (530m³)
Couverture (muraux)	W-3.1-11.3(395.84m³)
Environnementale:	
Hygrométrie	5% to 95%
Température	-25°C to +70°C
Matière	Polycarbonate résistant au choc
Degré d'étanchéité	IP21 (base étroite) IP65 (base profonde)
Synchronisation	Automatique

