

Sonos Sounder Beacon (DC)

A general purpose electronic sounder for fire, security and industrial applications; the Sonos Sounder Beacon is certified to EN54.

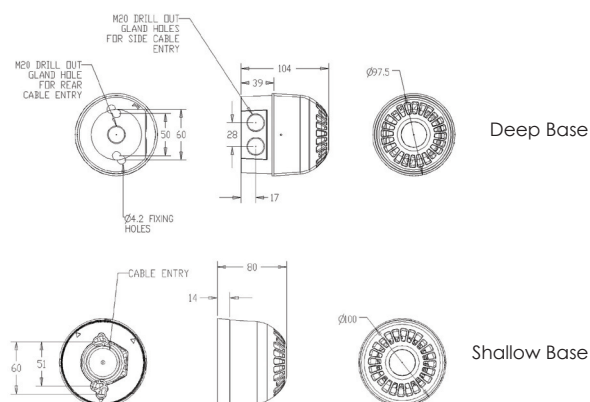
With the TimeSaver base, connections are made to the base during the initial wiring phase which results in faster and more reliable installation. The sounder head 'twists and clicks' into the base on commissioning, avoiding the wiring and connection problems associated with traditional sounders. With a choice of 32 tones including all the major international standards, the Sonos Sounder Beacon has universal acceptance.

Features

- Low current LED beacon
- Simple 'First Fix' installation
- Weatherproof to IP65 (deep base units)
- Choice of lens colours
- Sounder and beacon can be controlled separately
- Tone and volume can be preset or adjusted off-base - 20dB
- Separate connections for sounder & beacon



Applications - Fire; security; industrial alarm



Specifications

Part No.	Base	Colours	Audibility at 1m	Tones	Voltage	Sounder Current	Beacon Current
PSC-0002	Red shallow base	Red lens	Up to 106dB (A)	32	17-60V DC	4-45mA	5mA
PSC-0025	Red shallow base	Amber lens	Up to 106dB (A)	32	17-60V DC	4-45mA	5mA
PSC-0013	Red deep base	Red lens	Up to 106dB (A)	32	17-60V DC	4-45mA	5mA
PSC-0027	Red deep base	Amber lens	Up to 106dB (A)	32	17-60V DC	4-45mA	5mA
PSC-0035	White shallow base	Red lens	Up to 106dB (A)	32	17-60V DC	4-45mA	5mA
PSC-0040	White shallow base	Amber lens	Up to 106dB (A)	32	17-60V DC	4-45mA	5mA
PSC-0029	White deep base	Red lens	Up to 106dB (A)	32	17-60V DC	4-45mA	5mA
PSC-0034	White deep base	Amber lens	Up to 106dB (A)	32	17-60V DC	4-45mA	5mA

Other colours/combinations are available on request

IP Rating: IP65 (deep base) IP21 (shallow base) **Operating Temp:** -25°C to +70°C
Construction: Flame Retardant Polycarbonate **Cable Entries:** Deep Base: 2 x 20mm cable glands **Weight:** 0.22kg (shallow base) 0.25kg (deep base)
Compliance: EN54 3 Type A (shallow base) EN54 3 Type B (deep base)

klaxon
Signalling Solutions