



# Horizon Range Data Sheet

## 2, 4 & 8 Zone Conventional Fire Alarm Control Panels

### Features

- Simple, user friendly design
- Simple to install
- Intuitive to use
- 2, 4 or 8 Zones
- Walk test
- Enhanced feature set
- Multilingual text inserts
- Designed to comply with EN54 part 2 and part 4.

The Horizon series of conventional control panels has been developed to provide a simple and reliable solution to the demands of today's fire detection solutions.

The Horizon range has been designed with both installer and end users requirements in mind.

For installers, Horizon offers an out of the box and on the wall solution. A combination of quick installation, an enhanced feature set and advanced programming allows installers to quickly and simply meet the demands of the user. Equipped with configurable class change inputs, coincidence detection, programmable delays to allow alarm verification and the facility to interface to larger house alarm systems.

For end users, clear visible indications, easy to

operate functions and a big red key to activate the control buttons, make for simple and unambiguous operation.

Engineered and built to the same high standard as all Morley-IAS control panels, the Horizon system forms an essential part of any fire alarm solution.

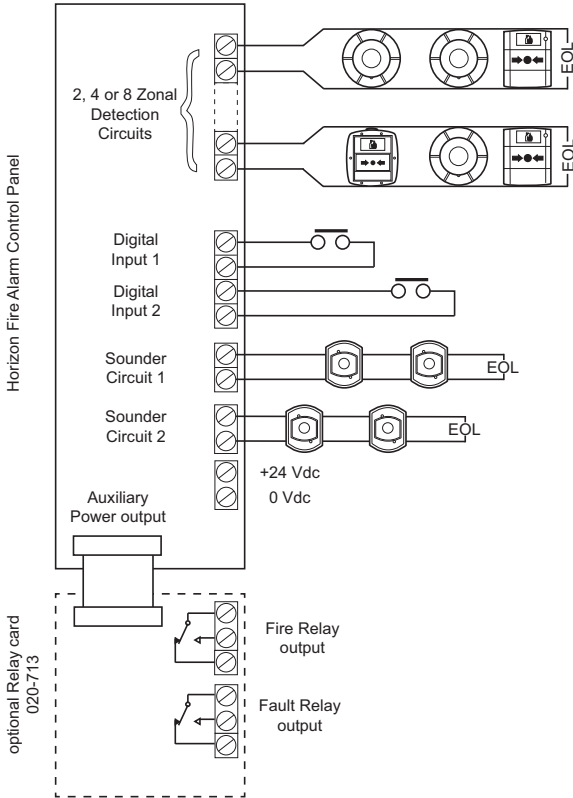
The Horizon series of conventional control panels has been designed for use in small to medium commercial environments. It is specially suitable for Garages, Retail Units, Shops, Restaurants, Doctor's Surgeries, Public Offices and Nursery Schools.



by Honeywell

# Mechanical

<b>Dimensions</b>	318 x 356 x 96 mm (h x w x d)
<b>Weight</b>	2 Kg (approx, no batteries fitted)
<b>Construction</b>	Fire retardant, ABS plastic moulded enclosure, sealed to IP30
<b>Cable Entry</b>	18 x 20mm knockouts in top of enclosure 25 x 50 mm knockout in rear of enclosure
<b>Operating Temperature</b>	+5°C to +45°C
<b>Relative Humidity</b>	5% to 95% non condensing



## Other Supporting Products Include

- Morley-IAS Voice Alarm and Public Address Equipment
- Morley-IAS ZXSe and DXc range of networkable analogue addressable Fire Alarm Panels
- Morley-IAS EVCS
- Morley-IAS Air Sampling Devices

For further details on these or any other Morley-IAS products please contact your local distributor, Morley-IAS Business Manager or via our contact details found below.

Morley-IAS by Honeywell - Providing a control panel solution, for fire industry professionals, committed to supporting our device partners.



Every care has been taken in the preparation of this datasheet but no liability can be accepted for the use of the information therein. Design features may be changed or amended without prior notice.  
© Morley-IAS by Honeywell 2014

# Electrical

<b>Operating Voltage</b>	230 Vac 50/60 Hz (±15%)
<b>Internal Power Supply:</b>	Output voltage +18.5 to +28.5 Vdc Output Current 1.8 Amps maximum Maximum Alarm load: 1 Amp
<b>Standby Batteries</b>	Minimum capacity 2 x 12 V 2.8Ah Maximum capacity 2 x 12 V 7 Ah
<b>Standby Battery Type</b>	Sealed lead acid
<b>Detection Circuits</b>	2, 4 or 8 detection circuits 2 mA per circuit (typically >20 detectors)
<b>Approved Detectors</b>	Apollo Series 60, Series 65 & Orbis. Morley-IAS Horizon HRZ Series System Sensor ECO1000 & Series 300
<b>Digital Inputs</b>	22 configurable inputs (Class Change, Alert, Evacuate, Reset)
<b>Digital Input Trigger</b>	Extended closing contact
<b>External Outputs</b>	Sounder Outputs: 2 monitored outputs 0.5 Amps per circuit  Auxiliary Output: +18.5 to +28.5 Vdc, 0.5 Amp. (max)

# Part Numbers

002-492-222	Horizon HRZ2e 2 zone fire alarm control panel. C/W fire & fault relay (020-713)
002-492-242	Horizon HRZ4e 4 zone fire alarm control panel. C/W fire & fault relay (020-713)
002-492-282	Horizon HRZ8e 8 zone fire alarm control panel. C/W fire & fault relay (020-713)
020-713	Horizon relay kit. (Fire & Fault relays) suitable for use with 002-506-222/242/282
020-747	8 way input/output card
020-865	Spare Red Controls Key (pack of 10)
020-743	Capacitor Kit for Detectors not compatible with capacitive EOC monitoring
020-745-008	Spare Installation Kit
020-417	Active End of line Kit for Non Addressable Panels
020-772	4 Way Sounder output card

