



Beacon Base for use with EV-PYS Detector **EV-PYSVAD**

Part no. F16-82150

General Description

EV-PYSVAD is a Type A Indoor Beacon Base VAD for use with detector type EV-PYS, only as part of an Evolution analogue addressable system.

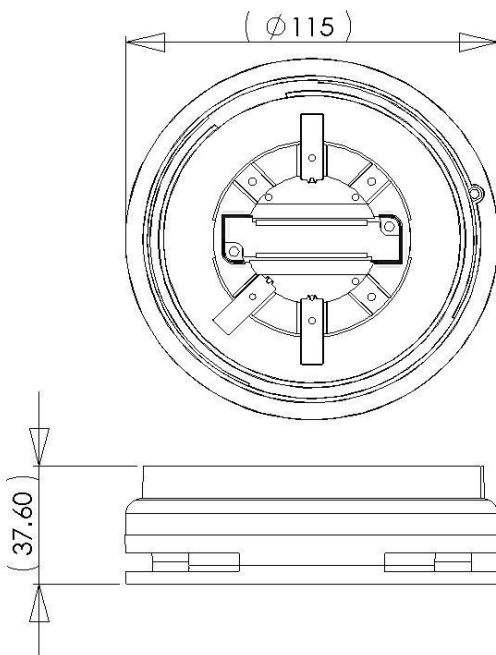
The Beacon Base does not require a loop address, as it is a slave device taking its commands from the EV-PYS detector.

12 High Power White LEDs provide the necessary coverage volume of light to meet the Category C (Ceiling) certification requirements.

Approvals

Test Standards	EN 54-23: 2010
CPR Certificate	0905-CPR-210054
UKCA Certificate	0359-UKCA-CPR-00052
DoP Number	210054

Dimensions (mm)



Data

Beacon Device Type	Type A Indoor
Beacon Device	12 High Power LEDs
Beacon Colour	White
Beacon VAD Specification	C 3.0-5.0 / 60m ³
Maximum Mounting Height	3.0 Metres
Flash Pulse Rate	2 Second (0.5 Hz)
Operating voltage	24 VDC to 38 VDC
Quiescent current	0 µA
Alarm current	9.0mA
Maximum Power	350mW
Ingress protection	IP21C
Operating temperature	-10°C to +55°C
Storage temperature	-25°C to +70°C
Relative humidity	RH 95%
Cable terminals	Max 2.5 mm ²
Material	PC & ABS
Weight	175 g

All wiring must conform to the current edition of IEE Wiring regulations and BS5839 Part 1, or Local National Wiring regulations.

All loop Cable Screens shall be connected together, but must be Isolated from Ground. Cable Screens shall be connected to Earth Ground within the Control Panel ONLY.

Connections

