

The VBL 6" motorised bell has been designed to offer maximum performance combined with rapid installation and a sleek low profile appearance. The bell can be used for a wide range of applications including conventional fire alarm systems.

The bell is approved to EN54-3 with LPCB and CE marked.



EN54 - 3



- High efficiency low current consumption design.
- Terminals will accept 2.5mm cables.
- Simple installation via multi-fixing base plate for all types of location.
- Fitted with two series diodes for fault monitoring.
- Option of customized discs printed with company name and logo.



TECHNICAL

voltage range	17 - 27 VDC
temperature range °C	-10 to +55
monitoring	reverse polarity
protection rating	IP21C
boxed weight	850g
body colours available	red
dimensions	152mm x 56mm (h)
movement	motor, pinion, and striker
movement features	DC motor, acetal gear wheel, steel striker
gong	steel, secured with philips screw
base plate	molded black polycarbonate
material	steel plate

PERFORMANCE

sound output, typical (dBA)	93
max current consumption @ 24Vdc (mA)	25
power consumption @24Vdc (mW)	600

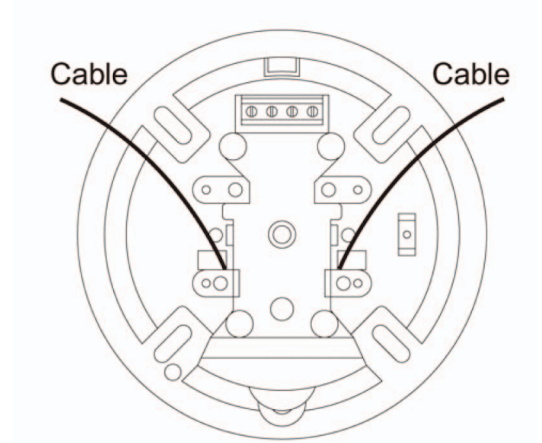
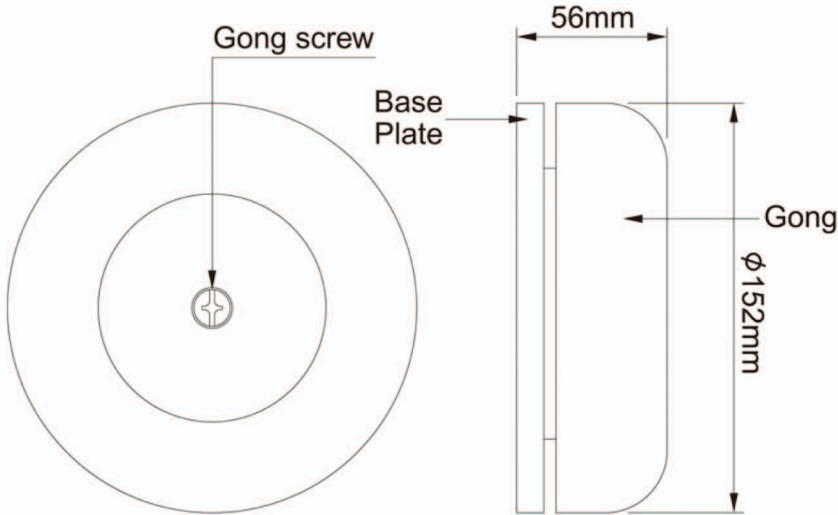
ORDERING INFORMATION

Red, 6" Bell	309-024
Grey, 6" Bell	309-025

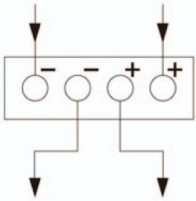
EN54-3



1. Loosen the gong screw and remove gong for wiring



2. Connections



2. Specification

Diameter	Model	Voltage Range	Nominal Operation Current
6" (152mm)	AH-0218	19V ~27V	25mA

* IP rating: IP21C

3. Refit gong (NB gong will only locate in correct position)
4. No adjustment of bell is required. For silent testing operate with the gong removed
5. **NB: Ensure that the gong screw is fully tightened on re-fitting. Failure to do so will result in reduced sound output**

Sound Output dB(A)				
Angle	Horizontal		Vertical	
	Min. 19V	Max. 27V	Min. 19V	Max. 27V
15°	93	97	90	95
45°	92	96	86	91
75°	80	86	80	86
105°	80	86	80	86
135°	90	96	88	94
165°	92	96	93	97