

## MOR-LED

### IP65 Weatherproof LED luminaire with clear fresnel lens

The Mor-LED bulkhead is a robust IP65 rated polycarbonate base combined with a clear fresnel lens housing 16 high output white LEDs and constant current maintained drive circuit. The luminaire provides 90 lumens and the lens generates a wide intensity distribution ideal for providing good luminance on an escape route. A deep (150mm) opal diffuser is available to provide double sided signage if required. The Mor-LED fully supports all features of the Lux Intelligent test system and complies fully with all the relevant requirements of EN60598.2.22.

#### Operation

The Mor-LED is supplied with integral maintained emergency lighting control gear. Non-maintained operation is achieved by excluding the switched Live supply. The self-contained variants offer 3 hour emergency lighting duration from integral nickel cadmium batteries. The luminaires can be used for standard switched mains lighting but will automatically provide emergency lighting in the event of a loss of local mains supply. The benefits of modern LEDs are well documented. They are very energy efficient and offer very long life (typically over 50,000 hours). They also operate at low temperatures (no cold starting problems) and do not create higher internal temperatures therefore improving the life of the internal batteries as well as making them more suitable for use in cold store environments. They are ideal for low maintenance applications offering 4 to 5 years of maintenance free operation.

#### Installation

20mm drilling points are available at either end of the base as well as one on the rear.



#### Key Features

- Fully compatible with Lux Intelligent test system
- Long life LEDs (50,000 Hours)
- IP65 Rated bulkhead
- Low power consumption (less than 10W)
- Suitable for use in cold stores (down to -20C)
- Fully complies with all aspects of EN60598.2.22
- Lens can be fitted with 100mm high self-adhesive signs

#### Specification

Supply Voltage	230 Volt (220-240V) @50Hz
Supply Current	Maintained: 40mA (9.6VA max.) Mains Only: 25mA (5.0VA max.)
Light Source	16 White LEDs
Cable Entry	20mm drilling points (polycarbonate)
Geartray	Hinged white painted steel
IP Ratings	IP65 (at 25°C)
Dimensions (H*W*D)	350 * 120 * 90 (mm)
Weight	1,5Kg (1.6Kg with deep diffuser)

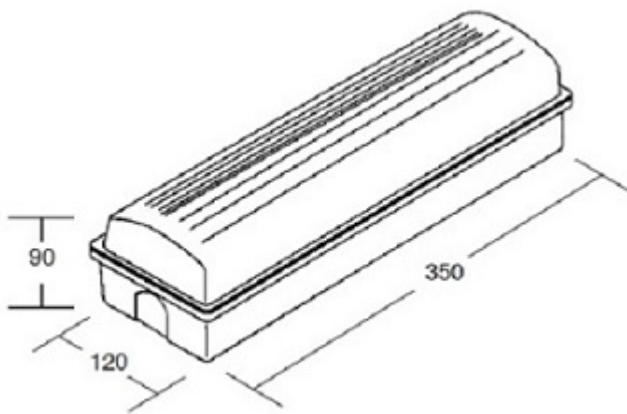
#### Order Codes and Options

RLED/M3/P:	Mor-LED 3 hour maintained addressable luminaire
RLED/B:	Mor-LED semi-recessing bezel
RLED/DDS:	Mor-LED deep double-sided diffuser
RLED/230/P:	Mor-LED slave addressable luminaire
RLED/M3/P/SOC:	Mor-LED 3 hour maintained addressable luminaire c/w sockets for gear tray removal
RLED/230:	Mor-LED 230V mains only luminaire
LEG-001:	Self adhesive safety signs for Mor-LED

## Spacing Data

Mounting height Hm (m)	Trans. to wall	Trans. to trans.	Axial to trans.	Axial to axial	Axial to wall	
2.5	1.6	5.9	4.3	3.0	1.0	1 Lux min. at centre
4.0	1.1	4.7	3.6	2.6	0.4	
2.5	2.6	8.7	7.2	4.7	1.2	0.5 Lux min. (open)
4.0	1.9	8.5	7.0	4.5	0.6	

## Dimensions



## Deep Diffuser

