

Blade-Lite

The Blade-Lite is available as both a suspended Exit luminaire or with recessed body, ideal where ceiling heights are lower, constraining the permitted depths of hanging signs. The luminaires are manufactured in galvanised steel and are supplied as standard, in white, but brass and chrome finishes are available. The luminaires are supplied normally with a ceiling bracket and suspension chains that can be altered to suit the installation. The luminaires come complete with exit legends that comply with a viewing distance of 36 Metres. These legends are available in both EC and ISO formats.

Operation

The Blade-Lite is available in maintained and non-maintained versions, providing a full three hours of operation in the event of a local lighting circuit failure. The Blade-Lite is also suitable for central battery and static inverter installations.

Installation

Cable entry to the ceiling baton is via 20mm holes in the top. The length of the suspension chain can be adjusted to suit the installation. The dimensions for the recessed version are illustrated on page two. The Blade-Lite fully complies with the requirements of EN60598.2.22 and supports all the features of the Lux Intelligent emergency lighting testing panels.



Features

- Available as hanging blade type, or recessed
- Suitable for 36-metre viewing distances
- Fully complies with EN60598.2.22
- Available in a choice of finishes
- Supports all Lux Intelligent testing panel features

Specification

Supply Voltage	230 Volt (220-240V) @ 50Hz
Light Source	8W T5
Current	Maintained: 90mA Non-maintained: 40mA
Battery	3.6V 4AHr NiCd
Recharge Period	24 Hours (14 hours for 1 hour duration)
Cable Entry	20mm holes in top
IP Rating	IP20 @ 25°C
Dimensions (mm)	Legend assembly: 358 (L) x 61 (W) x 300 (H) Baton: 358 (L) x 61 (W) x 42 (H)

Order Codes and Options

BLD8/M3/P-H:	Blade-Lite 8W 3 hour maintained double sided addressable exit luminaire (arrows left/right)
BLD8/NM3/P-H:	Blade-Lite 8W 3 hour non-maintained double sided addressable exit luminaire (arrows left/right)
BLS8/M3/P-H/R:	Recessed Blade-Lite 8W 3 hour maintained single sided addressable exit luminaire
BLS8/NM3/P-H/R:	Recessed Blade-Lite 8W 3 hour non-maintained single sided addressable exit luminaire

More Information

Blade-Lite Exit Legends

The Blade-Lite comes with a default Left/Right directional legend in the EC format. If alternative directions are required, please use the following suffixes to the part code.

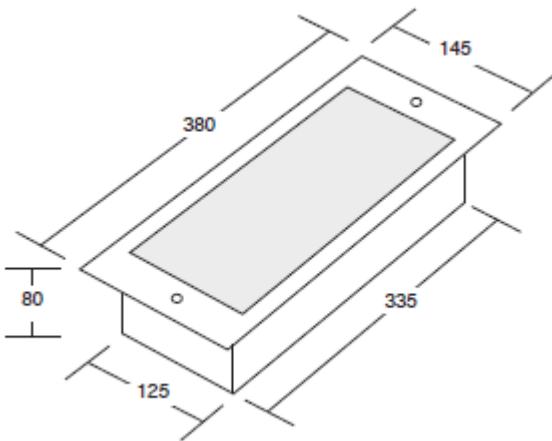
/AU Arrow Up **/AD** Arrow Down

For example, BLS8/M3/P-H/AD

The legends are also available in ISO formatting, please state this if that format is required (see below example).



Recessed Cut-out Dimensions



Blade-Lite Finishes

The Blade-Lite is supplied as standard with white epoxy coated steel fitting. The luminaire is also available in both Chrome and Brass finishes. See the order codes listed below.

/CH Chrome Finish **/BR** Brass finish

