



# ExGo

Reliably Advanced  
Extinguishing Control



# The Best Choice for Asset Protection



What suppression and extinguishant control panel would you choose to protect the literary collection of an entire nation?

47 ExGo panels are integrated with the fire system in Romania's national library offering the kind of quality and performance you can only expect from Advanced.

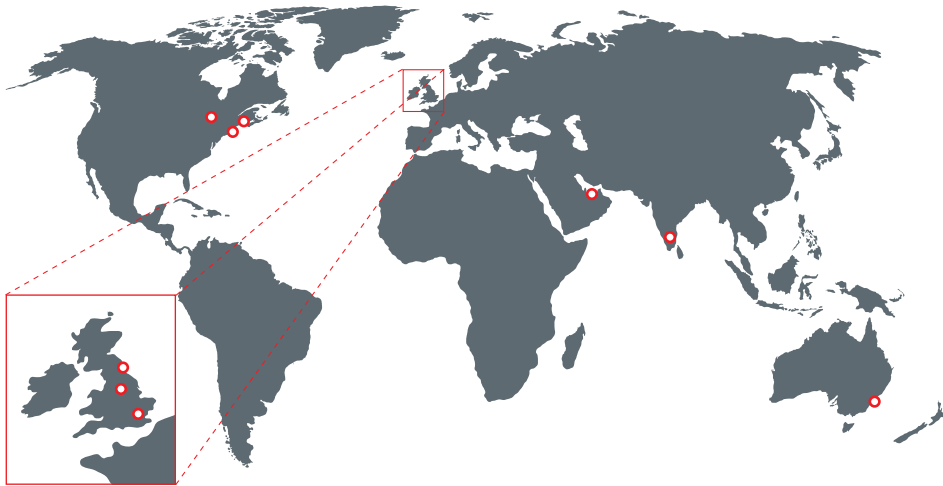


# Contents

The Standard in Fire Systems	4
ExGo Advanced Extinguishing Control	6
ExGo Sample System Diagram	7
ExGo Features	8
ExGo Parts List	9
Dynamix Tools	10
AdSpecials	11
Advanced360	11



# The Standard in Fire Systems



Advanced is known all over the world for making the best quality, best performing fire systems.

**We design 'easy' into our products. We make it easy to set up a one panel system or a complicated 200 panel network. We make our software intuitive. We deliver fast, accessible support, training and service. Above all, we make it easy to rely on an Advanced system.**

Fire Systems are in our DNA. Our people are among the most talented and experienced in the fire systems business. We train talented engineers and technicians every year. 25% of our business is dedicated to R&D. Our knowledge is unmatched, anywhere in the world and we're determined to keep it there.

Our systems are protecting people and property in over 60 countries world wide, in many of the most prestigious and challenging locations. We realise our growth comes from the strongest customer relationships. We stay friendly, flexible and reactive to your requirements and our customer service is consistently rated excellent.

We manufacture all of our panels in the UK to demanding quality standards and hold global approvals. We enjoy full ISO 9001 compliance across manufacturing and design.



- Manufacturing and Quality
- Admin
- Customer Service and Support
- R&D





Welcome  
to the  
world of  
Advanced



# ExGo Reliably Advanced Extinguishing Control

ExGo is used all over the world to protect sensitive and strategic assets such as server and switch rooms and historic and cultural collections.

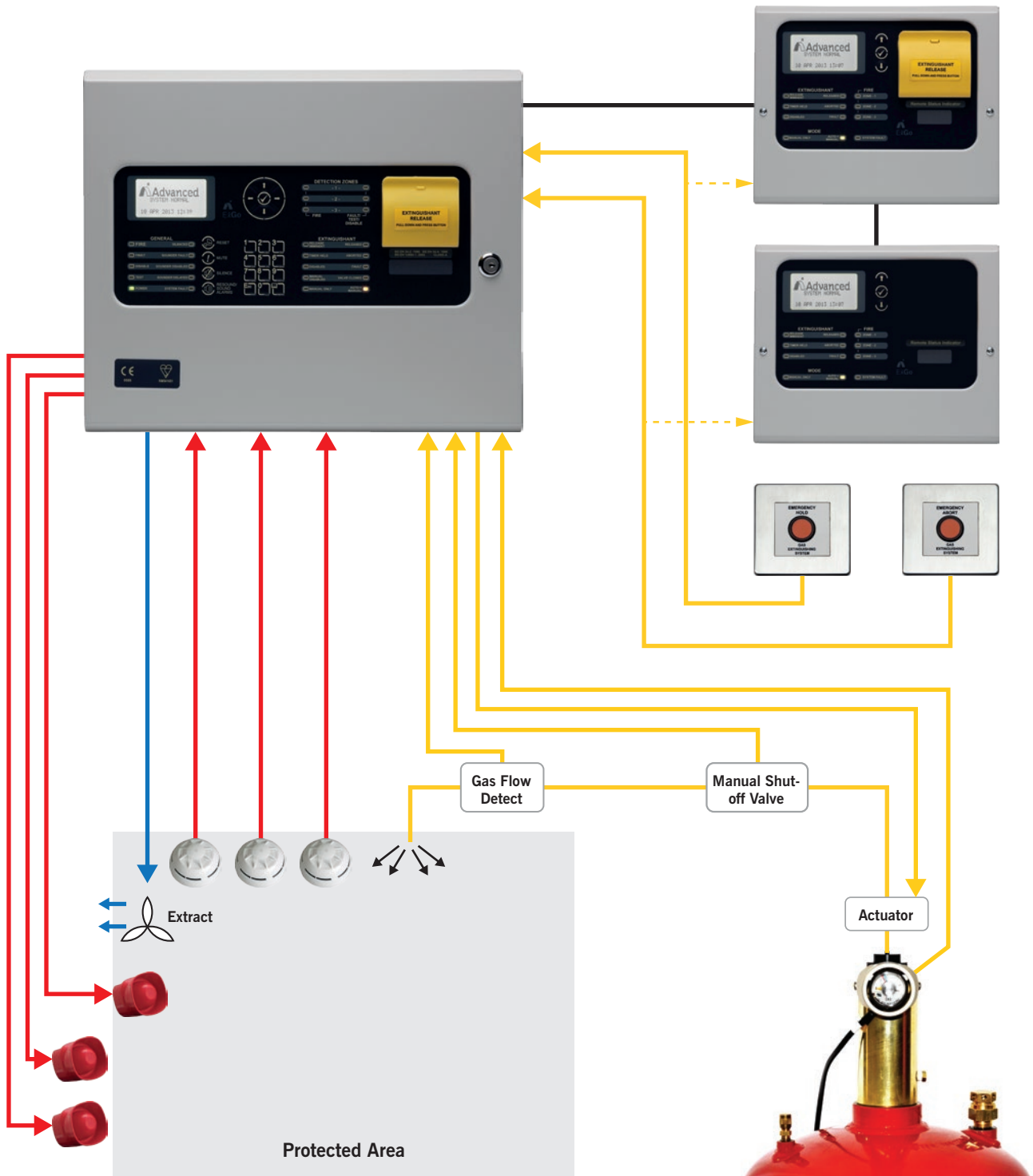
Compatible with a range of detection devices its performance, ease of use and advanced features set it ahead of the competition.

ExGo can be used as a stand alone system or has a number of on-board programmable inputs and outputs for interfacing with any fire system.

ExGo is suitable for almost all single-flooding area applications and includes a range of control options and devices.



## Sample System Diagram





# ExGo

## Fire & Extinguishing Control Performance

ExGo is approved to the relevant fire (EN54 Parts 2,4 & 13) and extinguishing standards (EN12094-1).



**ExGo takes all of the features Advanced is famous for and delivers them in an easy to use, easy to install and easy to trust extinguishing control system.**

The ExGo system includes a main control panel and a range of panels and devices including repeater units, hold and abort buttons and active end of line devices.

As with all Advanced products, it is very easy to install, with a removable chassis and PSU and 30 enclosure knockouts. All programming is carried out at the control panel via a simple and intuitive menu structure and LCD screen.

All of the sensitive circuits are analysed and configured by the panel menu system, with no direct adjustment of electronic components required. The specific nature of faults are displayed to aid diagnosis.

A time-stamped log tracks all activation events and can (along with all panel settings) be downloaded to a PC tool for reference, storage, filtering and printing.

Onboard diagnostics can be accessed from the panel menu and all test modes and disablements easily controlled.

ExGo can be integrated into our MxPro or Axis EN fire systems via a simple fire protection interface or any 3rd party fire alarm system via an I/O loop device.

## Features

- 3 conventional detection zones (inc support for I.S. barrier)
- 1 Flooding/extinguishing zone
- Support for both solenoid and Metron type actuators (1A continuous rating, 3A 15ms pulse).
- Autolearn Actuator Output circuit. No direct manual adjustment required
- Large Countdown timer on LCD screen
- 4 relay outputs (Fire, Fault and 2x programmable) rated 30V DC at 1A max
- 3 sounder circuits 21-28VDC rated at 700mA max
- 2 AUX supply outputs (1 switched), 21-28 VDC each rated at 500mA
- 11 monitored inputs. 4 programmable, 1 manual trigger, 6 Release related (Mode, Valve Monitor, Pressure Monitor, Hold, Abort, Flow)
- Support for monitoring status of a manual isolate valve/ abort input
- RS-485 link to remote status indicators
- 8 additional programmable relay outputs via EXP-008 relay module
- 3A universal PSU (1A reserved for battery charging). Can be expanded to 5A.
- Pass code or optional key switch for Level 2 access
- Key switch option for mode select (Auto/Manual)
- EN54-2 switch-mode power supply
- 72hr battery standby possible
- Logo tool allows customer logo to be displayed on LCD screen
- 3 year warranty as standard
- Advanced's simple, select and click programming delivers huge configuration options
- 1,000 event log entries which can be downloaded to a PC
- Compatible with a wide range of conventional devices
- Approved to EN12094-1 & EN54 2,4 & 13





## ExGo Remote Terminals



- 2 versions, with and without manual release
- Up to 7 remote status indicators per one ExGo panel
- Key switch option for mode select (Auto/Manual)
- 12 LED status indicators (Fire, Release, Timer, Disablement, Mode and Fault Indications.)
- 2 programmable relay outputs expandable to 4
- Small and compact
- RS485 network connection
- Multiple languages
- Slide in labels
- Surface mount or semi-flush option
- 3 year warranty as standard
- 24V DC supply input

## Hold & Abort Buttons



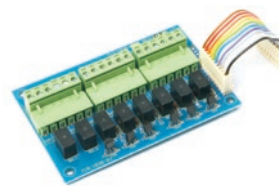
- Simple to install
- Range of finishes available including white, stainless steel and brass trims
- Surface or flush mount
- IP65 option
- Easy connection with dedicated control panel inputs

## End of Line Modules



- Provides a simple method of connecting auxiliary contacts to any switch input circuit
- The normal end of line and trigger resistors are not required
- Provides active end of line monitoring for zone circuits fitted with detector diode bases in accordance with BS5839-1

## 2 or 8 Way Relay Output Card



- 2 or 8 individual programmable outputs
- Fast instant response
- Each output 30V AC/DC, 1 Amp rating
- Cost effective against ancillary hardware

# ExGo Parts list

Product Code	Description
	<b>ExGo Extinguishing Control Panel</b>
EX-3001	Extinguishing Control Panel, 3 Detection Zones + Single Release Output
	<b>Remote Status Indicators</b>
EX-3020	RSI c/w LCD + LED Indicators
EX-3021	RSI c/w LCD + LED Indicators with Mode Select Key Switch
EX-3030	RSI c/w LCD + LED Indicators with Manual Release Button
EX-3031	RSI c/w LCD + LED Indicators with MR Button and MS Key Switch
	<b>Key Switches</b>
EXP-001	Enable Controls (trapped) Key Switch Assembly
EXp-001F	Enable Controls (trapped) Key Switch Assembly. Fitted
EXP-002	Mode Select (Un-trapped) Key Switch Assembly
EXP-002F	Mode Select (Un-trapped) Key Switch Assembly. Fitted
	<b>Hold/Abort Switches</b>
EXP-003-001	Hold Switch, Plastic Enclosure
EXP-003-002	Hold Switch, Stainless Steel Trim Cover Plate
EXP-003-003	Hold Switch, Brass Trim Cover Plate
EXP-003-065	Hold Switch, IP65 Plastic Enclosure
EXP-004-001	Abort Switch, Plastic Enclosure
EXP-004-002	Abort Switch, Stainless Steel Trim Cover Plate
EXP-004-003	Abort Switch, Brass Trim Cover Plate
EXP-004-065	Abort Switch, IP65 Plastic Enclosure

Product Code	Description
	<b>End Of Line Units</b>
EXP-005	Switch End-of-Line Module (5 off)
EXP-006	Spare Zone Active End-of-Line Module (5 off)
	<b>Output Cards</b>
EXP-007 (F)*	2-Way Relay Output Card (for use with RSI)
EXP-008 (F)*	8-Way Relay Output Card (for use with Ex-3001 only)
* F - Fitted	
	<b>Bezels</b>
EXM-001	Semi-flushing Bezel for Ex-3001 Panel
EXM-002	Semi-flushing Bezel for RSI
	<b>Software</b>
PC-NET-007	Ex-Logo Programming Software
PC-NET-013	Ex-Extraction Software c/w USB Lead
UP-015	USB Lead (2M A-B Type) for Ex-Extraction Software
	<b>Spares</b>
EXS-001	Spare Manual Release Cover
EXS-002	EX-3001 Spare Chassis c/w PCB
EXS-004	Spare Ex-3001 Main PCB
MXS-050	Spare 24V 3A EN54-4 Psu & Battery Charger Card

# Dynamix Tools

Dynamix Tools is fire system software designed for users. It is easy to operate, easy to understand and makes the complicated simple.

Dynamix Tools comprises a range of specific tools allowing users to achieve what they want, not get bogged down in large, clumsy and complicated software.

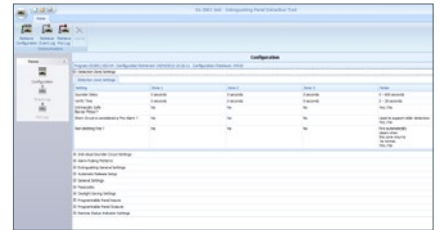
Dynamix Tools is being continually developed for the Advanced fire system range, adding new features and performance enhancements.

Our position in the global fire industry means we help guide legislation and can implement software changes quickly, keeping our customer systems right up to date. We also listen closely to our customers and often produce features for specific client requirements.

ExGo Extraction software allows the full download of gas system configuration and event log data. The user friendly software provides a quick reporting log book, showing full system configuration, full event logs and a quick reporting guide to customise system reports for end users.

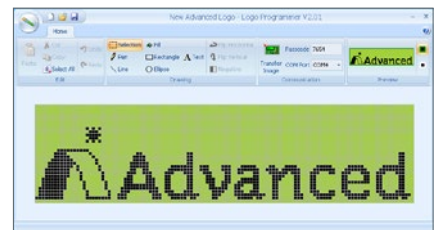
## ExGo Extraction Software

- USB connection
- User friendly Windows based software
- Export information to Office applications
- Download event logs and system configuration
- Customised printouts



## Logo Tool

- Allows the installers logo to be displayed on the panels graphical LCD display during Normal Operation
- Uploads standard bitmap images
- Tool allows creation of logos
- JPG and GIF images can be imported



Magna Carta at Lincoln Castle



Romania's National Library



All Protected by ExGo

1,600 km oil pipeline in Sudan



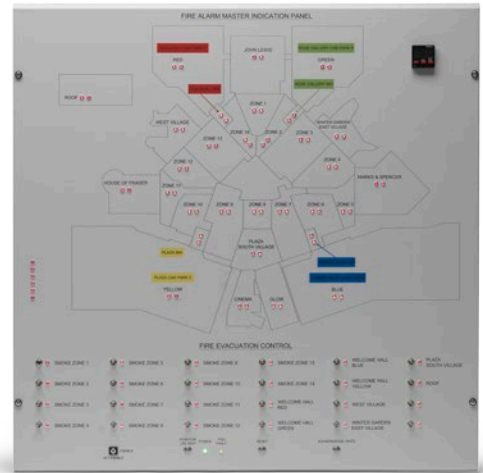
# AdSpecials\*

## Custom Built Panels and Control Units

Advanced's special engineering and manufacturing team develops bespoke solutions for customers on the backbone of our market leading fire technology.

From mimic panels and special enclosures to high specification control units and monitoring stations, the AdSpecials team's work is found in thousands of locations worldwide.

Offering a consultancy, design and build service, the AdSpecials department is the epitome of what makes Advanced a manufacturer of choice - we go further to provide customers with exactly what they need.



## Advanced360\*

## Total Customer Support & Service

To ensure our customers get exactly what they need, from specification, through sales, installation and maintenance to expansion we offer Advanced360, an equally advanced customer support service.

Advanced360 offers total customer care from a staff of industry experts and engineers. Support can cover help specifying a system or during installation or maintenance. Advanced360 also delivers full, free-of-charge installer training, online and telephone support and system and fault modeling services. It's Advanced, end-to-end fire system support, free to all customers.



