

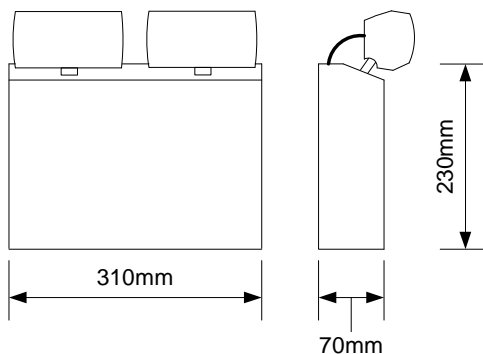
TSE RANGE

The TSE Light provides a cost effective solution to emergency lighting in high areas and large areas. Comprising of a white finished sheet steel enclosure Fitted with twin high efficiency flood beams utilising high out tungsten halogen lamps, suitable for use on escape routes (850 degrees C hot-wire test, defined by ICEL) Three 20mm knockouts are available on the top and sides of the unit offering flexibility of cabling. The unique feature of battery retaining straps means the TSE Light can be used in any orientation to suit the application, even upside down. Complying with the requirements of BS5433 and suitable for incorporation into an emergency lighting system complying with BS5266: 1988 the TSE Light comes complete with batteries offering a versatile emergency lighting solution at an attractively low cost.

Typical Applications

- Sports Stadiums
- Concert Venues
- Temporary Emergency Lighting
- High Bay Warehouses
- Railway Stations
- Racked Areas

- High Light Output
- Adjustable Heads
- Tungsten Halogen
- High efficiency source of emergency
- 3 Hour standby operation
- Two LED's to monitor lamp filaments
- Polycarbonate lens as standard



ORDER NO	TSE20NM
MODE	NON MAINTAINED
LAMP TYPE	2 X 20W TUNGSTEN HALOGEN
POWER CON	24VA
BATTERY	12V 14AH
DURATION	3 HOURS
WEIGHT	8KG
OUTPUT	2 X 330 LUMENS
DIMENSIONS	300 x 310 x 75mm