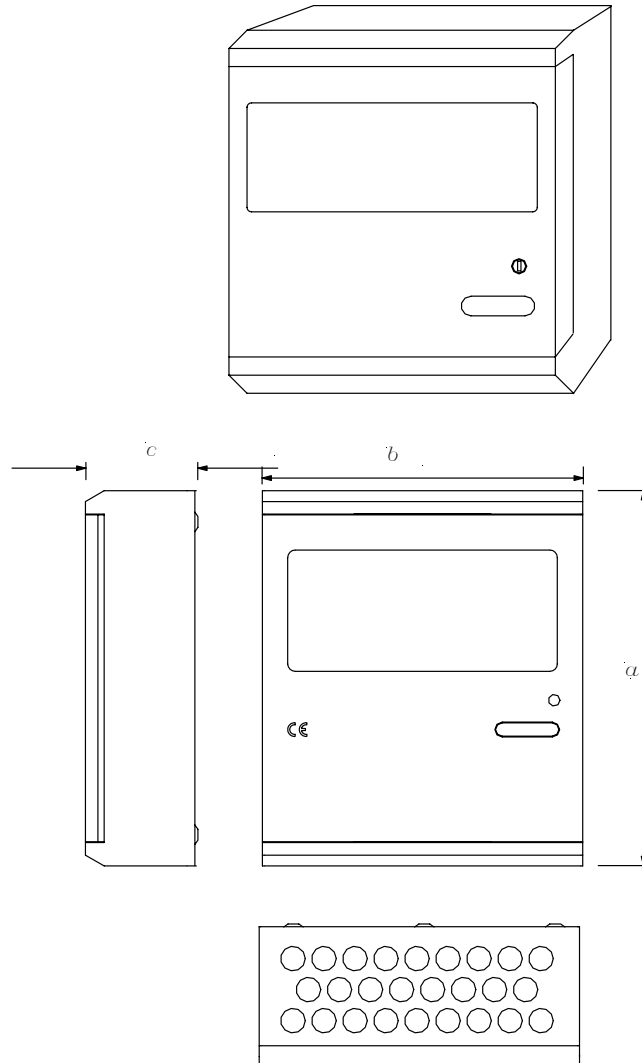


Xplorer and Voyager Panels Cabinet Specifications

1 Surface Cabinet

All cabinets are manufactured from 18 SWG sheet steel and finished in satin texture epoxy powder stove paint. Top entry grommets and rear entry knockouts are provided.

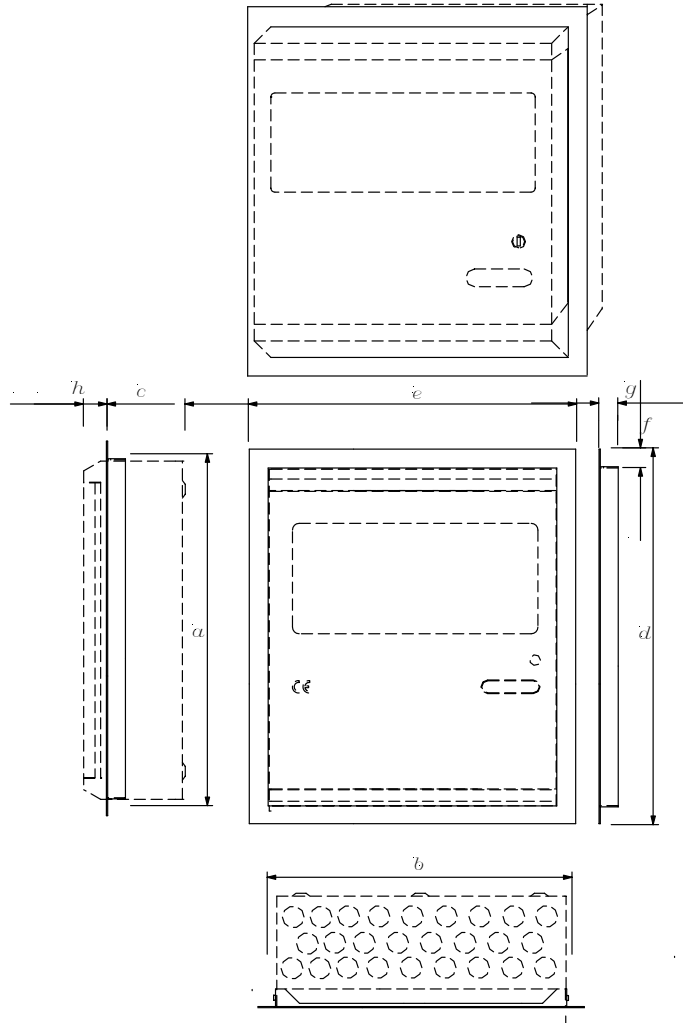
Cabinet colour: RAL7035 Textured (light grey)



Protection Plugs	26 off
a	370mm
b	325mm
c	130mm

2 Semi Flush Bezels

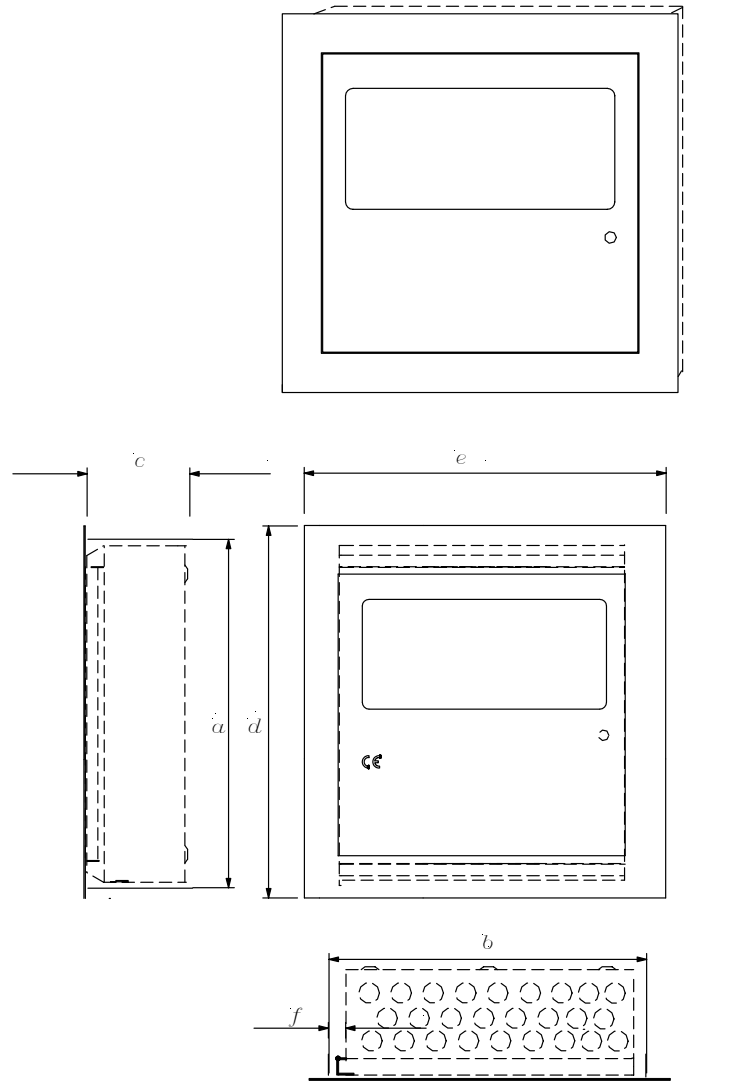
The semi flush bezel locates to the rear of the bevelled edge of the back box, leaving the bevelled edge and door raised out from the wall. It is finished in the same colour as the back box and is fitted by means of pinch bolts, thus avoiding the need to drill the cabinet.



Hole height	<i>a</i>	375mm
Hole width	<i>b</i>	330mm
Hole depth	<i>c</i>	100mm
Max bezel height	<i>d</i>	435mm
Max bezel width	<i>e</i>	388mm
Bezel overlap	<i>f</i>	30mm
Bezel depth	<i>g</i>	30mm
Door protrusion	<i>h</i>	30mm

3 Fully Flush Bezels

The fully flush option is achieved by fixing a flat bezel/door assembly to the standard back box, replacing the standard door. Available in brass, stainless steel (polished or brushed), or painted to specifications. The panel comes with assembly already fitted (preferred) but can if necessary be supplied for later site fitting.



Hole height	<i>a</i>	375mm
Hole width	<i>b</i>	345mm
Hole depth	<i>c</i>	130mm
Bezel height	<i>d</i>	411mm
Bezel width	<i>e</i>	423mm
Hinge protrusion	<i>f</i>	20mm