

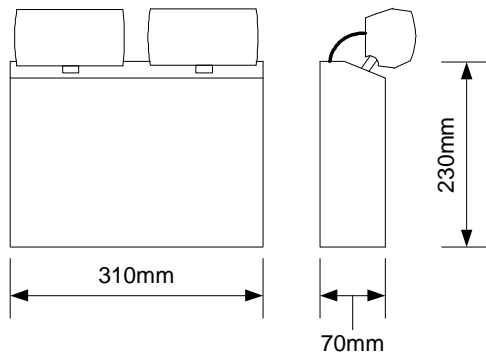
TSE RANGE

Ringtail®

The TSE Light provides a cost effective solution to emergency lighting in high areas and large areas. Comprising of a white finished sheet steel enclosure fitted with twin high efficiency flood beams utilising high out tungsten halogen lamps, suitable for use on escape routes (850 degrees C hot-wire test, defined by ICEL) Three 20mm knockouts are available on the top and sides of the unit offering flexibility of cabling. Complying with the requirements of EN60598-2-22 and suitable for incorporation into an emergency lighting system complying with BS5266-1:2005. The TSE Light comes complete with batteries offering a versatile emergency lighting solution.

There are a number of variants of the TSE available including remote mounting heads where a conventional twinspace would be unacceptable due to aesthetics. Delay on feature, an adjustable timer function for use with discharge lighting, upon restoration of power after a mains failure the lamps will remain illuminated for a pre set period to allow for the re start of the conventional lighting.

- High Light Output
- Adjustable Heads
- Tungsten Halogen
- High efficiency source of emergency
- 3 Hour standby operation
- Two LED's to monitor lamp filaments
- Polycarbonate lens as standard
- Typical coverage: 12m x 12m at 4m high



	Mode	Lamp Type	Power Con	Battery	Duration	Weight	Output	Dimensions
TSE20NM	Non Maintained	2 x 20W Tungsten Halogen	24 VA	12V 14Ah	3 Hours	8 Kg	2 x 330 Lumens	310 x 310 x 70
TSE20NM/R	Non Maintained (Remote Heads)	2 x 20W Tungsten Halogen	24 VA	12V 14Ah	3 Hours	8 Kg	2 x 330 Lumens	310 x 310 x 70
TSE20NM/T	Non Maintained (Delay on Timer)	2 x 20W Tungsten Halogen	24 VA	12V 14Ah	3 Hours	8 Kg	2 x 330 Lumens	310 x 310 x 70