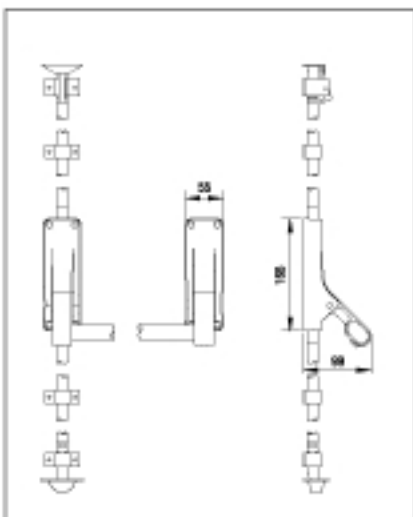
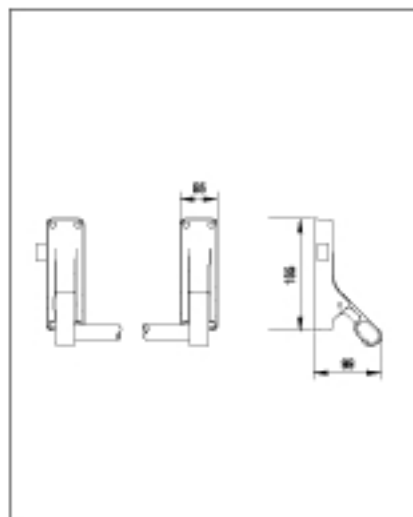


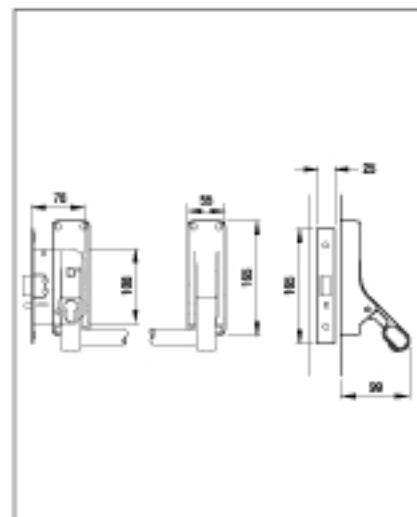
# Briton



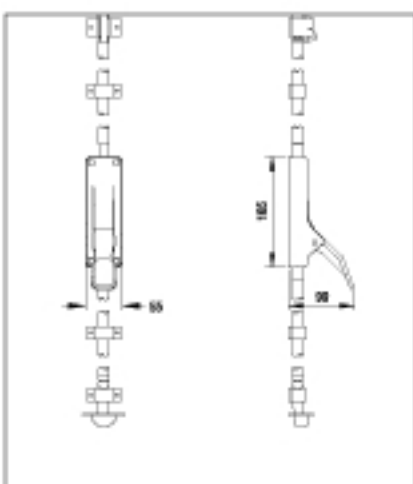
Briton  
376E, 376E-D, 376E-P, 376E-PD, 376E-A



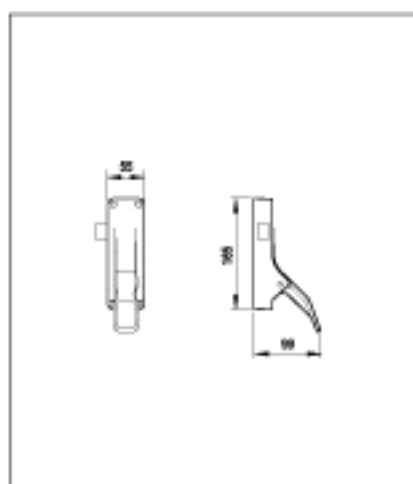
Briton  
378E, 378E-D



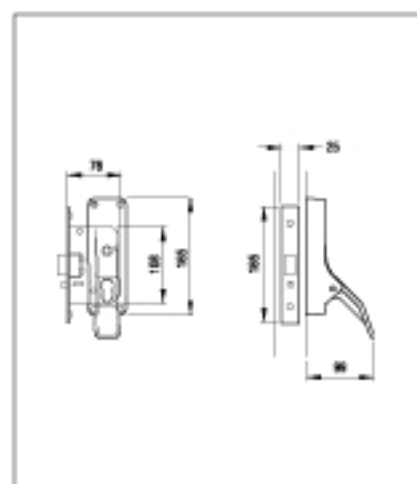
Briton  
379E-N, 379E-NA, 379E-ND



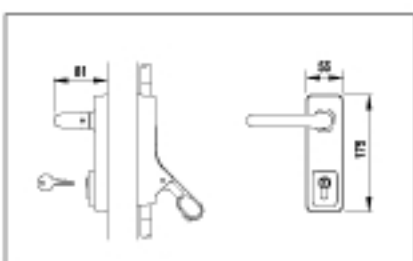
Briton  
372E, 372E-P



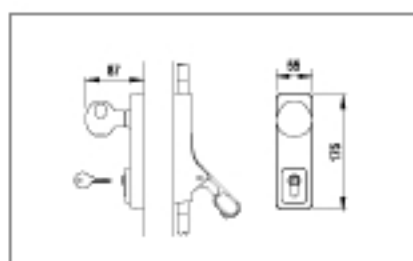
Briton  
1438E



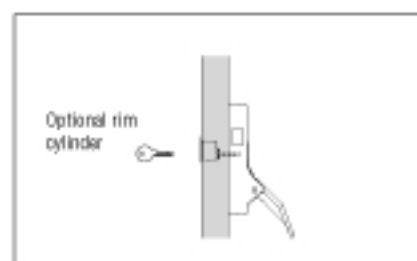
Briton  
389E-N



Briton  
1413E/LE



Briton  
1413E/KE



Legge  
816

## Door sizes

All products are suitable for use on doors up to 2500mm high x 1300mm wide. Minimum width of stiles 78mm for 13mm rebates and 90mm for 25mm rebates. For doors with less than 665mm clear opening width please seek advice from Technical Services. For Briton 379E-N, 379E-NA & 379E-ND minimum door thickness is 40mm and minimum width of stile is 88mm.